

# AX-ANC-FR001

## MULTIFONCTION RELAY SWITCH

Wired 230V AC



### WIREPAS ANCHOR

High velocity (300ms)  
Wirepas 4.0 et 5.0 compatible



### BEACON MODE

Eddystone URL



### HIGH SWITCHING CAPACITY

2300W to control devices



### POTENTIAL-FREE OUTPUT

Dry contact output



### ULTRA COMPACT PROFILE (<18mm)

Installation in flush-mounted boxes from 50mm upwards



### WORKLESS INSTALLATION

On existing equipment or on the electrical panel (requires DIN rail housing)

The AX-ANC-FR001 module is part of Axones product range to implement a 3 in 1 technological solution based on a Wirepas Mesh network which allowing navigation, geolocation, assets or person tracking and metering on the same infrastructure.

It can be quickly installed on existing equipment allowing it to be connected and controlled remotely or automatically by the Wirepas Network.

### Technical Specifications

Power supply: 230V AC ~50Hz  
Switching capabilities: 230V AC - 10A // 30 V DC - 10A  
Consumption: <1W  
Radio protocol: Wirepas  
Radio frequency range: 2,4Ghz  
Wirepas mode: Low Latency  
Certifications: CE in progress

### Use Cases

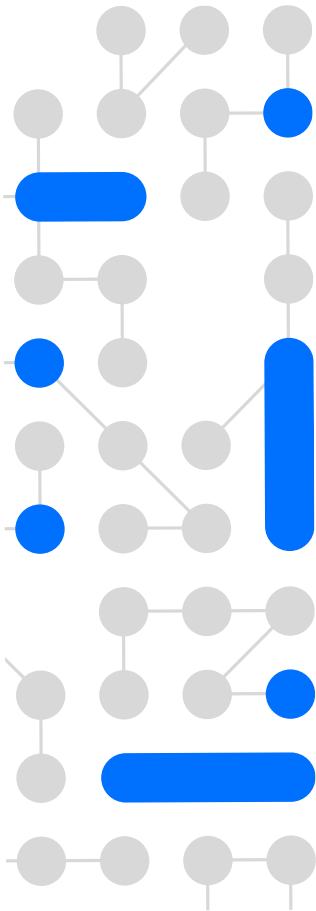
Indoor Geolocation  
Asset Tracking  
Control and status feedback

### Environnement

Operational temperature: -10°C à 40°C  
Protection rating: IP30



## Installation & Dimensions



- N** Terminal for Neutral

---

- L** Terminal for the Line

---

- I1** Input terminal 1 (I1)\*

---

- I2** Input terminal 2 (I2)\*

---

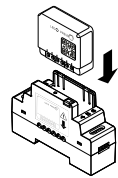
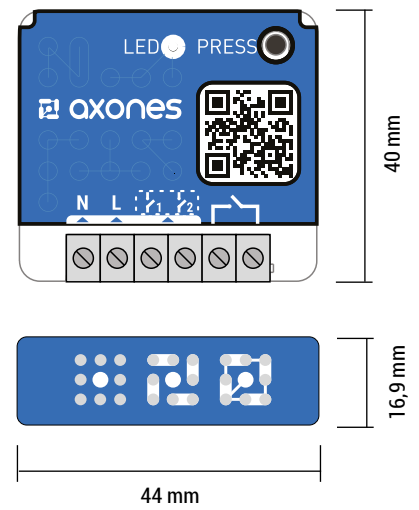
- Input terminal, the potential will pass through the output terminal

---

- Output terminal

Each terminal can accept a cable of 2.5 mm<sup>2</sup> maximum, stripped of 8mm

\*Input not applicable on the AX-ANC-FR001 module.



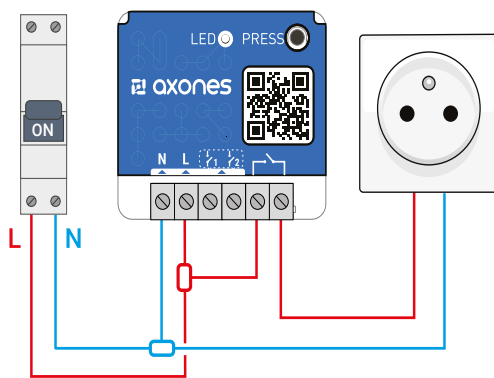
### TIPS

Add the AX-ANC-FR001 multifunction relay switch to the electric panel with DIN Rail Box\*.

\*\*Accessories are optional

## Installation diagrams

### Electrical Outlet\*



\* Note :

- Power supply 230V AC - 50Hz
- Maximum power 2300W (Resistive Load)
- Switching capacity 230V AC - 10A // 30V DC - 10A

### LED Driver\*

